

Etech^w

09 - 15 - 22 - 28 - 36

Single & Tri Phase

Installation, operating and servicing instructions



INDEX

WARNINGS	3	Power wiring / Models : 09 - 15 Single phase	19
Who should read these instructions	3	Power wiring / Models : 09 - 15 Tri phase	20
Symbols	3	Power wiring / Models : 22 Tri phase	21
Recommendations	3	Power wiring / Models : 28 Tri phase	22
Applicable standards	3	Power wiring / Models : 36 Tri phase	23
Importants notes	3		
Manual handling instructions	3		
Removing the boiler from the packaging	3		
INTRODUCTION	4	HONEYWELL SUNDIAL WIRING DIAGRAMS	24
Description of the specifications	4	Honeywell Sundial Wiring Centre 'S' Plan	24
Lining	4	Honeywell Sundial Wiring Centre 'Y' Plan	25
Heating body	4		
Heating elements	4		
Equipment	4		
Connection	4		
Dual stage thermostat	4		
Certification	4		
Legend	4		
INSTRUCTIONS	6	COMMISSIONING AND MAINTENANCE	26
User data	6	Commissioning - Water	26
Setting up	6	Commissioning - Electrical	26
Optional internal timeclock	6	Starting the boiler	26
Pressure in the heating system	6	Maintenance	26
TECHNICAL CHARACTERISTICS	7	REMOVAL THE HEATING ELEMENTS	27
Electrical data of model 09 Single phase	8		
Electrical data of model 09 Tri phase	8		
Electrical data of model 15 Single phase	8		
Electrical data of model 15 Tri	8		
Electrical data of model 22 Tri	9		
Electrical data of model 28 Tri	9		
Electrical data of model 36 Tri	9		
MOUNTING	10	SPARE PARTS	www.acv.com
Dimensions	10		
Wall mounting	10		
Installation room	10		
INSTALLATION	11		
Disassembling	11		
Heating connection	12		
Heating connection + DWL : "Y" plan	12		
Heating connection + DWL : "S" plan	12		
Electric connection / Models : 09 - 15 Single phase	13		
Electric connection / Models : 09 - 15 Tri phase	13		
Electric connection / Model : 22 Tri phase	13		
Electric connection / Model : 28 Tri phase	14		
Electric connection / Model : 36 Tri phase	14		
Sizing of supply wires	14		
Wiring diagrams / Models : 09 - 15 Single phase	15		
Wiring diagrams / Models : 09 - 15 Tri phase	16		
Wiring diagrams / Model : 22 Tri phase	17		
Wiring diagrams / Models : 28 - 36 Tri phase	18		

WARNINGS

WHO SHOULD READ THESE INSTRUCTIONS

These instructions should be read by:

- the specifying engineer
- the installer
- the user
- the service engineer

SYMBOLS



Essential instruction for the correct operation of the installation.



Essential instruction for the safety of persons and the environment.



Danger of electrocution.

RECOMMENDATIONS



- These instructions are an integral part of the equipment to which they refer and the user must be provided with a copy.
- The product must be installed and serviced by qualified engineers, in compliance with current standards.
- The manufacturer cannot accept liability for any damage resulting from incorrect installation or from the use of components or fittings not specified by the manufacturer.
- Any failure to follow instructions relating to tests and test procedures may result in personal injury or risks of pollution.
- It is important to switch the boiler off before carrying out any work.
- There are no user parts inside the control panel.

APPLICABLE STANDARDS



The Boilers have been manufactured to comply with the following standards BS EN60335-2-35: 2002, BS EN55014-1: 2001 and BS EN55014-2:1997.



The installation must be in accordance with the current standards.

IMPORTANT NOTES

These instructions are an integral part of the equipment to which they relate and must be handed to the user.

The product must be installed and serviced by qualified engineers in accordance with the regulations in force.

The manufacturer declines all liability for any damage caused as a result of incorrect installation or in the event of the use of appliances or accessories that are not specified by the manufacturer.



The manufacturer reserves the right to change the technical characteristics and specification of its products without notice.

The availability of certain versions and their accessories can vary following the market.



Warning : Do not switch ON if there is a possibility that the water in heater is frozen.

MANUAL HANDLING INSTRUCTIONS



The weight of this boiler is 36Kg, which could present a risk of injury.



Care should be taken when loading and unloading the boiler to and from vehicles.



We recommend that the boiler be handled by two people until it is securely fixed to a wall.



The safest route from the vehicle to the point of installation should be carefully assessed before unloading the boiler.



Mechanical lifting aids should be utilised whenever possible.

REMOVING THE BOILER FROM THE PACKAGING

- Before lifting the boiler from the packaging, ensure that the installation area is clear and that there are no obstacles making installation difficult or unsafe.
- Lay the boiler on its back (as shown on the box side), open the box and remove the cardboard packaging.
- Remove the polythene cover and the polystyrene corner protection pieces.
- With help from another person, lift the boiler from the packaging holding the lipped front edges of the side panels.
- Do not lift or carry the boiler using the top automatic air vent and bottom pump.

INTRODUCTION

DESCRIPTION OF THE SPECIFICATIONS:

This wall hung electric boiler is available in 7 models:

- The models Single phase 09 and 15 are supplied with 230 V.
 - The models Triphase 09, 15, 22, 28 and 36 are supplied with 400V.
- The maximum power can be adjusted for all models by acting on the switches on the control panel.



The maximum power can be adjusted for this models by acting on the terminals bridges.

Models	Adjustable power	
	Min	Max
09 single phase	5.6 kW	8.4 kW
15 single phase	9.6 kW	14.4 kW
22 tri phase	14.4 kW	21.6 kW
28 tri phase	14.4 kW	28.8 kW
36 tri phase	18 kW	36 kW

LINING

The boiler is protected by a steel lining that first of all undergoes a degreasing and phosphation process before being lacquered and burnt at 220°C.

HEATING BODY

The boiler heat exchanger is constructed from mild steel with welded joints. It is hydraulic tested under a pressure of 4.5 bar (maximum working pressure = 3 bar).

HEATING ELEMENTS

Immersion heaters, constructed from stainless steel Incoloy 800 and mounted in the top of the boiler, provide the power source for the Boiler.

EQUIPMENT

The boiler is equipped with all the necessary components to allow direct connection to a heating system without the need for a feed and expansion cistern.

These components include; primary 10 litre expansion vessel (suitable for a system water content of up to 160 litres), pressure and temperature gauge, safety valve, circulating pump, low water pressure switch, control and high limit thermostats, on/off and power level switches.

CONNECTION

The boiler is suitable for connection to most heating and hot water systems, with a maximum working pressure of 3 bar and a maximum temperature of 85°C. It can also be used in multiple boiler installations allowing greater outputs to be achieved.

The boiler, and connection glands for both the main power supply and optional external controls are provided, suitable for single or three phase electrical supply depending upon boiler output required.

An internal 3 amp MCB is provided to protect the internal control circuit, from which optional controls can be connected e.g. internal or external timeclock, room thermostat or Honeywell Sundial controls.

DUAL STAGE THERMOSTAT

The temperature of the boiler is controlled by a dual stage thermostat which is set by the user to give the desired boiler temperature.

When the boiler has heated up to within 7°C of the set temperature, the thermostat switches off one power stage and therefore reduces

the heat input. Thanks to this simple but effective form of modulation, the boiler has longer working cycles and requires less stops and starts, thus resulting in a more even temperature across the boiler.

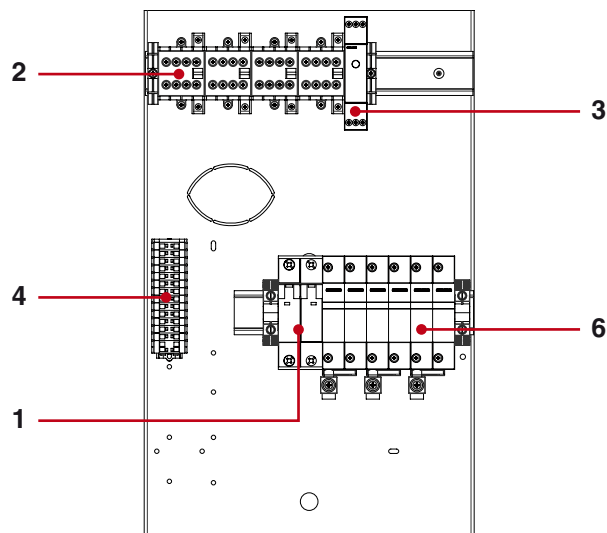
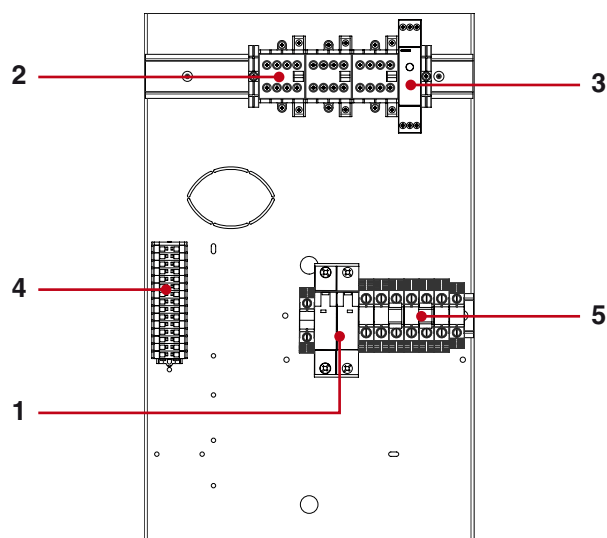
It also means less wear and tear on components and, importantly it uses less power once it has reached working temperature.

CERTIFICATION

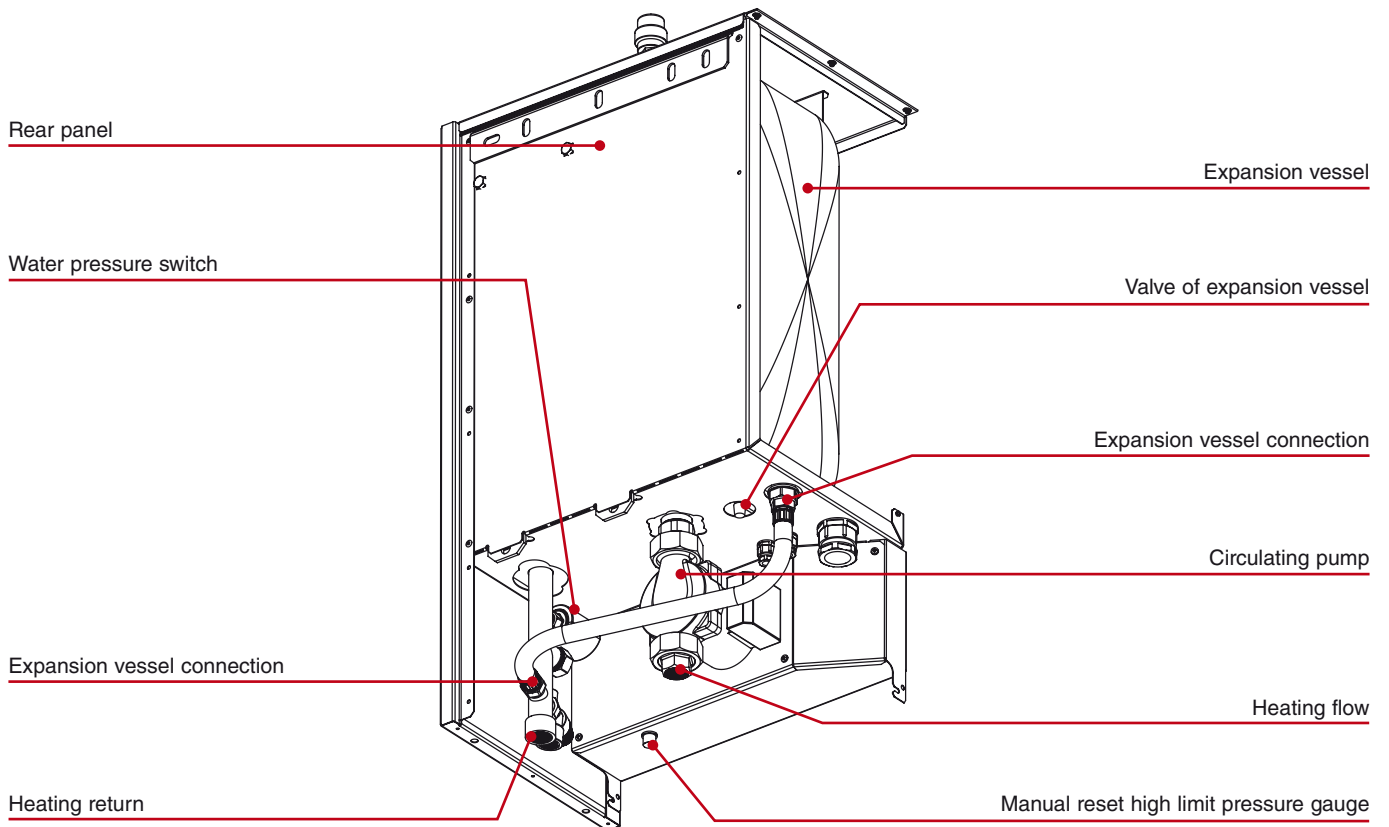
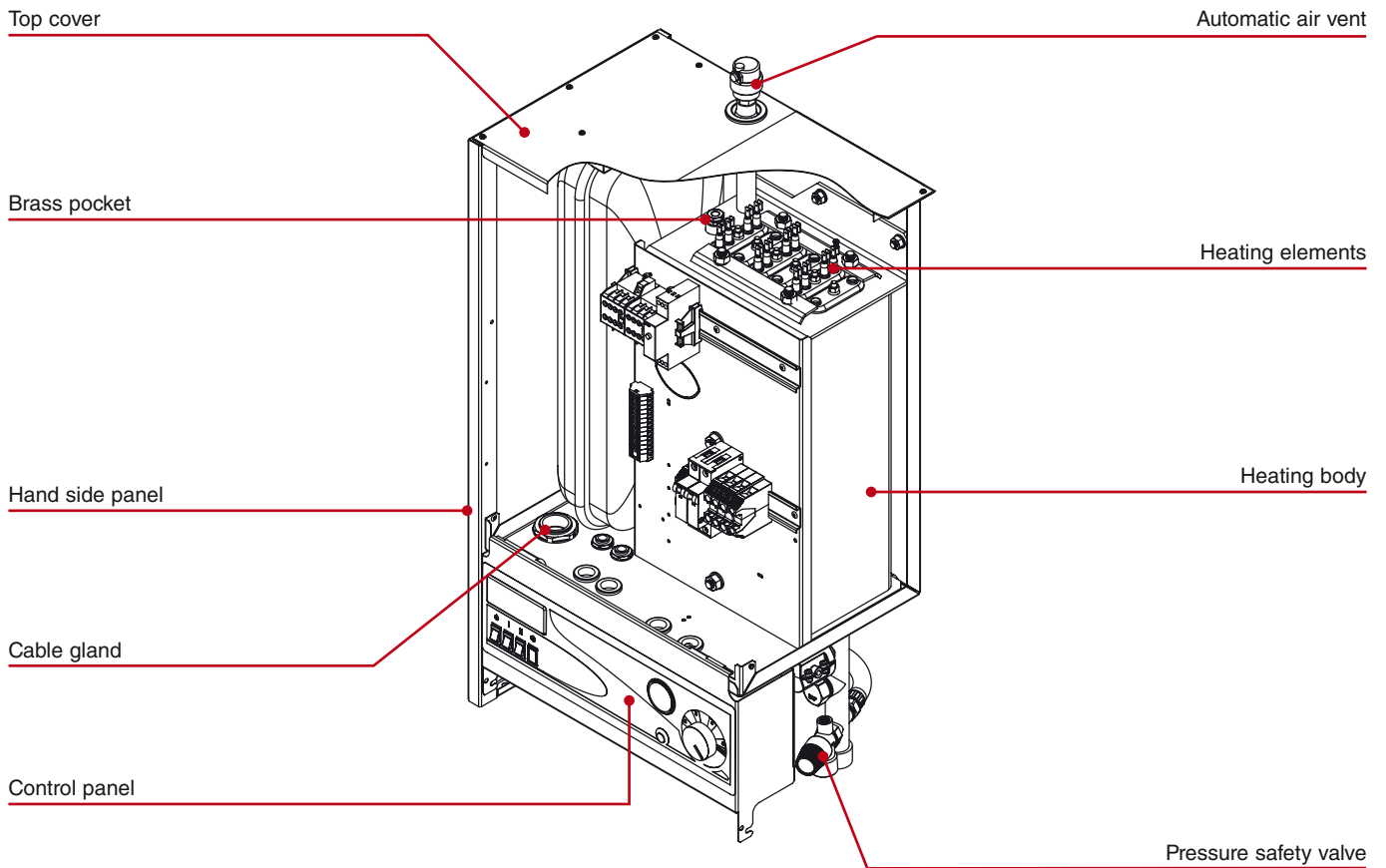
The boilers have been manufactured to comply with the following standards BS EN60335-2-35: 1998, BS EN55014-2:1997 and BS EN50081-1-1: 1992.

LEGEND

1. Control circuit
2. Relay
3. Timer
4. Control terminals
5. Power terminals
6. Power terminals with fusible 25A or 32A



INTRODUCTION



INSTRUCTIONS


USER DATA

All user controls are situated on the front panel of the boiler, there are no user controls inside the boiler casing.

The following instructions assume that the boiler has been commissioned, and that the system is filled with water and has been fully vented.

SETTING UP

- Before switching on any electrical supplies to the boiler ensure that the combined temperature and pressure gauge reads at least 1 bar and the control thermostat is set to the desired temperature.
 - If an internal time clock is fitted ensure that this is switched on (see "Optional Internal Time Clock") and if any other auxiliary controls are fitted e.g. programmer, room thermostats, cylinder thermostats etc, consult appropriate manufacturers' instructions to switch these on.
 - Switch on any local means of isolation to boiler.
 - Switch the boiler on using the ON/OFF switch (the neon light on the switch should now glow).
 - Turn on both power level switches - after a short period of time the boiler temperature should start to rise, indicated by the combined temperature and pressure gauge. If the boiler fails to operate, the overheat safety thermostat should be checked.
- Access to the thermostat reset button is obtained by unscrewing (anti-clockwise) the domed button cover on the front panel (a screwdriver is not required). The reset button can then be seen - press the button, a click should be heard and the button is reset. If no click was heard the device is not at fault and further investigation is required by a suitably qualified engineer.
- The internal clock or external programmer can now be set to allow on/off periods as desired. The ON/OFF switch and 2 power level switches should be left in the ON position during normal use.

 **The power level switches will automatically switch on and off during normal boiler operation, depending on boiler temperature.**

- If the boiler is not in regular daily use during cold periods, it is recommended that it be fitted with a frost sensing thermostat to override the timeclock and prevent the system from freezing.

- As with most boilers and heating appliances the casing and pipework can get hot during normal running so the boiler must not be covered and the surrounding area must be kept clear.

OPTIONAL INTERNAL TIMECLOCK

- This operates on a 24-hour sequence. Around the outside of the clock there are a number of white tabs - these allow 15 minute switching times. To set a boiler cycle simply push outwards the number of tabs required for your heating period.

Remember : tab OUT = BOILER ON
tab IN = BOILER OFF

The time of day is marked by an arrow on the inner part of the clock - set the outer time to coincide with this arrow.

On the centre part of the clock there is a switch.

This has three positions :

- Switch down - timeclock off
- Switch middle - timeclock timed (normal position)
- Switch up - timeclock on constant.

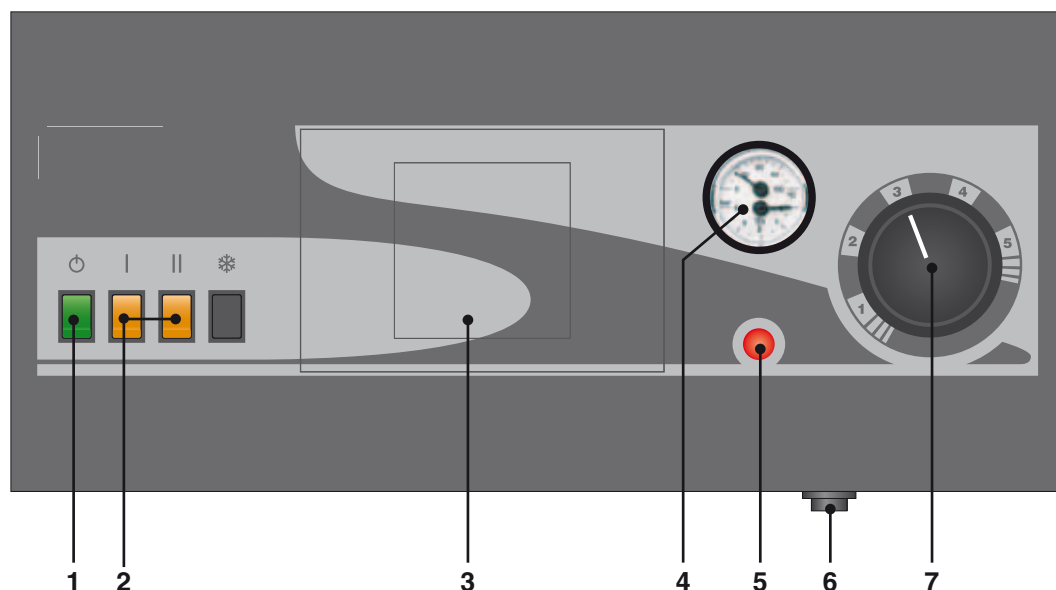
PRESSURE IN THE HEATING SYSTEM

The CH pressure must be a minimum of 1 bar and must be checked by the end user on a regular basis. If the pressure drops under 0.5 bar, the integrated water pressure switch blocks the appliance until the pressure in the system returns to a level above 0.8 bar.

The installer fits the system with a separate fill valve underneath the appliance. Make sure that the appliance is powered off when filling the system. To do this, turn the on/off switch.

For more information, please ask your installer when the system is delivered.

A safety valve is provided underneath the appliance. If the system pressure exceeds 3 bars, this valve opens and drains the water from the system. In this case, please contact your installer.



LEGEND

1. ON/OFF switch
2. Power levels switch
3. Optional internal clock or controller
4. Combined temperature and pressure gauge
5. Boiler shutdown indicator light
6. Manual reset high limit thermostat
7. Control thermostat :
 - 1 = 40°C
 - 2 = 50°C
 - 3 = 60°C
 - 4 = 70°C
 - 5 = 80°C

TECHNICAL CHARACTERISTICS

Models	09 Single	15 Single	09 Tri	15 Tri	22 Tri	28 Tri	36 Tri
Power	8.4 kW	14.4 kW	8.4 kW	14.4 kW	21.6 kW	28.8 kW	36 kW
Nominal supply voltage	1 x 230 V	1 x 230 V	3 x 400 V	3 x 400 V	3 x 400 V	3 x 400 V	3 x 400 V
Ohmic resistance of element	37.8 Ohm	22 Ohm	37.8 Ohm	22 Ohm	22 Ohm	22 Ohm	17.6 Ohm
Heating element type	2 x 1.4 kW	2 x 2.4 kW	2 x 1.4 kW	2 x 2.4 kW	2 x 2.4 kW	2 x 2.4 kW	2 x 3.0 kW
Number of elements	3	3	3	3	5	6	6
Water capacity (Litres)	13	13	13	13	13	13	13
Expansion vessel capacity (Litres)	10	10	10	10	10	10	10
Max. working pressure (bars)	3	3	3	3	3	3	3
Min. working pressure (bars)	0.8	0.8	0.8	0.8	0.8	0.8	0.8
Max. working temperature (°C)	85	85	85	85	85	85	85
Hydraulic pressure drop (mbar)	10	20	10	20	45	85	125
Heating connection	3/4"	3/4"	3/4"	3/4"	3/4"	3/4"	3/4"
Height (mm)	763	763	763	763	763	763	763
Width (mm)	442	442	442	442	442	442	442
Depth (mm)	332	332	332	332	332	332	332
Weight empty (kg)	45	45	45	45	45	45	45
Electric protection	IP 43	IP 43	IP 43	IP 43	IP 43	IP 43	IP 43

TECHNICAL CHARACTERISTICS

Electrical data of model 09 Single Phase					
		STAGE 1	STAGE 2	TOTAL	CONTROL TERMINALS
Single phase 8.4 kW (*)					
Terminal L1	(A)	24	12	36	
Terminal N	(A)	24	12	36	
Power	(kW)	5.6	2.8	8.4	
Single phase 5.6 kW (**)					
Terminal L1	(A)	12	12	24	
Terminal N	(A)	12	12	24	
Power	(kW)	2.8	2.8	5.6	

This values are based on standard supply voltage in Europe, that is 1 x 230V for single phase and 3 x 400 Volt for tri phase.

() Factory configuration / (**) Remove the shunt 12 and 13 on control wiring in order to deactivate the relay.*

Electrical data of model 09 Tri Phase				
		STAGE 1	STAGE 2	TOTAL
Tri phase 8.4 kW				
Terminal L1	(A)	6	6	12
Terminal L2	(A)	6	6	12
Terminal L3	(A)	6	6	12
Power	(kW)	4.2	4.2	8.4

Electrical data of model 15 Single Phase					
		STAGE 1	STAGE 2	TOTAL	CONTROL TERMINALS
Single phase 14.4 kW (*)					
Terminal L1	(A)	41.6	20.8	62.4	
Terminal N	(A)	41.6	20.8	62.4	
Power	(kW)	9.6	4.8	14.4	
Single phase 9.6 kW (**)					
Terminal L1	(A)	20.8	20.8	51.6	
Terminal N	(A)	20.8	20.8	51.6	
Power	(kW)	4.8	4.8	9.6	

This values are based on standard supply voltage in Europe, that is 1 x 230V for single phase and 3 x 400 Volt for tri phase.

() Factory configuration / (**) Remove the shunt 12 and 13 on control wiring in order to deactivate the relay.*

Electrical data of model 15 Tri Phase				
		STAGE 1	STAGE 2	TOTAL
Tri phase 14.4 kW				
Terminal L1	(A)	10.4	10.4	20.8
Terminal L2	(A)	10.4	10.4	20.8
Terminal L3	(A)	10.4	10.4	20.8
Power	(kW)	7.2	7.2	14.4

TECHNICAL CHARACTERISTICS

Electrical data of model 22 Tri Phase					
		STAGE 1	STAGE 2	TOTAL	CONTROL TERMINALS
Tri phase 21.6 kW (*)					
Power terminal L1	(A)	20.8	10.4	31.2	
Power terminal L2	(A)	20.8	10.4	31.2	
Power terminal L3	(A)	20.8	10.4	31.2	
Power	(kW)	14.4	7.2	21.6	
Tri phase 14.4 kW (**)					
Power terminal L1	(A)	10.4	10.4	20.8	
Power terminal L2	(A)	10.4	10.4	20.8	
Power terminal L3	(A)	10.4	10.4	20.8	
Power	(kW)	7.2	7.2	14.4	

This values are based on standard supply voltage in Europe, that is 1 x 230V for single phase and 3 x 400 Volt for tri phase.

() Factory configuration / (**) Remove the shunt 12 and 13 on control wiring in order to deactivate the relay.*

Electrical data of model 28 Tri Phase					
		STAGE 1	STAGE 2	TOTAL	CONTROL TERMINALS
Tri phase 28.8 kW (*)					
Power terminal L1	(A)	20.8	20.8	41.6	
Power terminal L2	(A)	20.8	20.8	41.6	
Power terminal L3	(A)	20.8	20.8	41.6	
Power	(kW)	14.4	14.4	28.8	
Tri phase 21.6 kW (**)					
Power terminal L1	(A)	20.8	10.4	31,2	
Power terminal L2	(A)	20.8	10.4	31,2	
Power terminal L3	(A)	20.8	10.4	31,2	
Power	(kW)	14.4	7.2	21,6	

This values are based on standard supply voltage in Europe, that is 1 x 230V for single phase and 3 x 400 Volt for tri phase.

() Factory configuration / (**) Remove the shunt 14 and 15 on control wiring in order to deactivate the relay.*

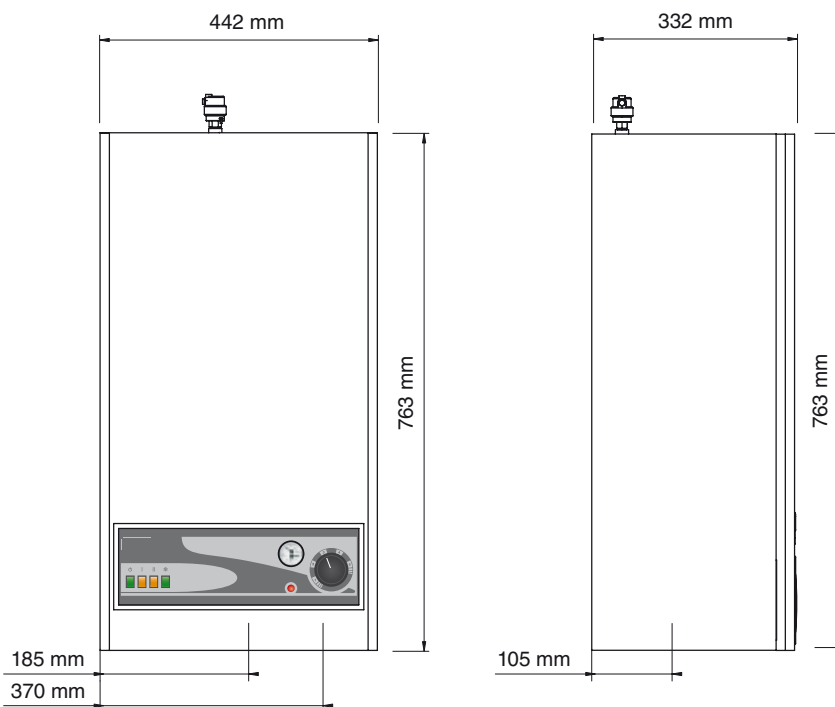
Electrical data of model 36 Tri Phase					
		STAGE 1	STAGE 2	TOTAL	CONTROL TERMINALS
Tri phase 36 kW (*)					
Power terminal L1	(A)	26	26	52	
Power terminal L2	(A)	26	26	52	
Power terminal L3	(A)	26	26	52	
Power	(kW)	18	18	36	
Tri phase 27 kW (**)					
Power terminal L1	(A)	26	13	43	
Power terminal L2	(A)	26	13	43	
Power terminal L3	(A)	26	13	43	
Power	(kW)	18	9	27	

This values are based on standard supply voltage in Europe, that is 1 x 230V for single phase and 3 x 400 Volt for tri phase.

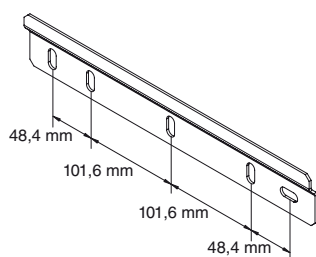
() Factory configuration / (**) Remove the shunt 14 and 15 on control wiring in order to deactivate the relay.*

MOUNTING

DIMENSIONS



WALL MOUNTING



- The boiler must be fixed to a non flammable wall.
- Observing the clearances shown below, drill 2 off 14mm x 100mm holes.
- Fit the 2 bolts supplied and hang the wall bracket.
- Fit washers and nuts
- Hang the boiler

FROST PROTECTION

The boiler is **NOT** fitted with frost protection. If the boiler is being installed in a position where freezing could take place, then a suitable external frost thermostat should be fitted.

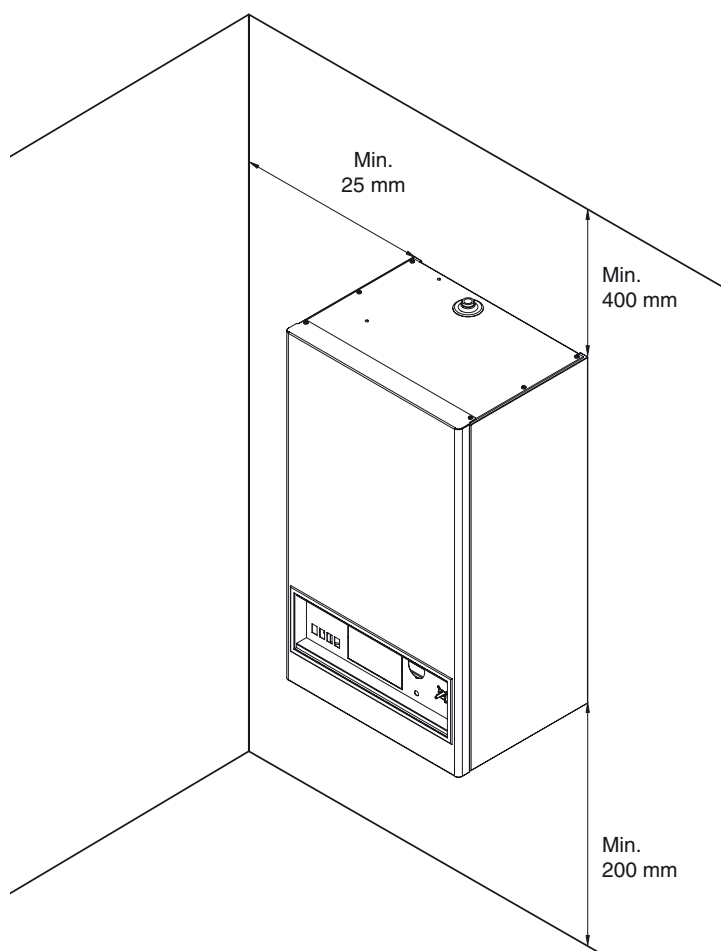
CONNECTING TO THE SYSTEM

The boiler is designed to operate on a sealed system (ie. no open vent or feed and expansion cistern) Hot water expansion within the system is taken up by the internal 10 litre expansion vessel. This is suitable for systems up to 160 litres capacity. If the system capacity is more than this then an additional expansion vessel may be required. This can be fitted external to the boiler at a convenient place on the pipework.

Please note that the circulation pump is fitted to the flow connection.

INSTALLATION ROOM

The appliance must be positioned in such a way as to be easily accessible at all times. In addition, the following minimum distances around the appliance must be complied with.

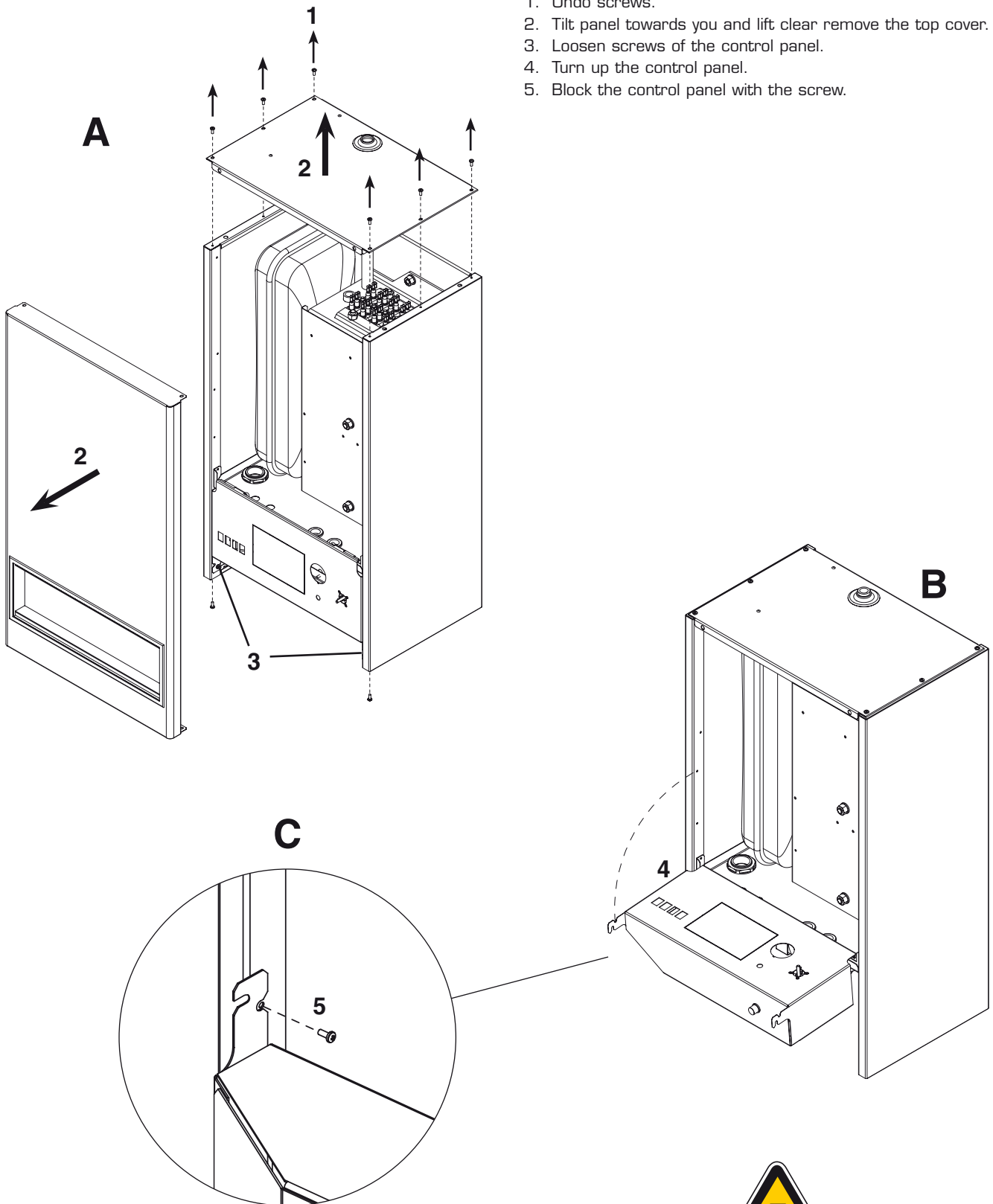


INSTALLATION

DISASSEMBLING

Panel removal and access to hydraulic connections

1. Undo screws.
2. Tilt panel towards you and lift clear remove the top cover.
3. Loosen screws of the control panel.
4. Turn up the control panel.
5. Block the control panel with the screw.

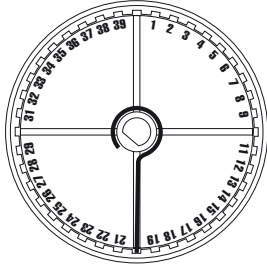


INSTALLATION

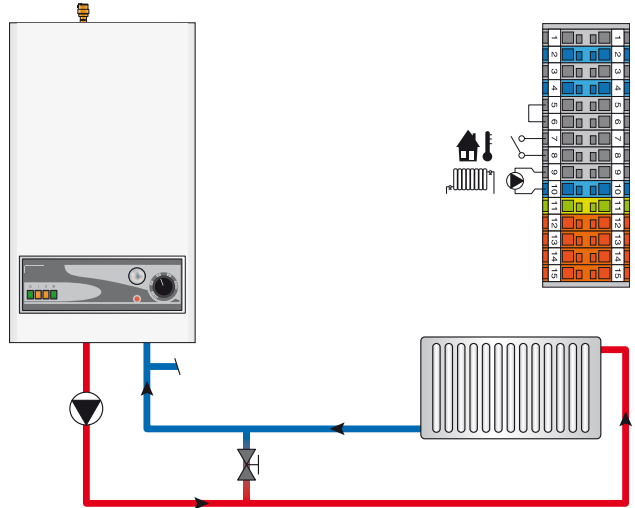
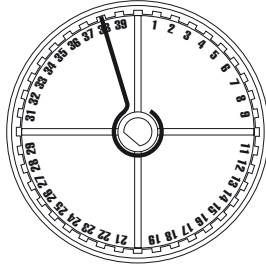
HEATING CONNECTION

Limiting the maximum adjustable temperature

Factory setting
30 - 85°C



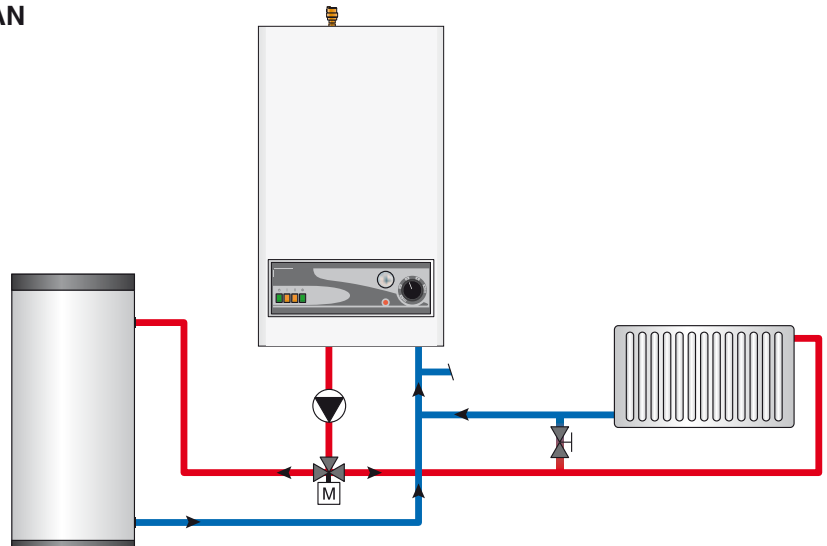
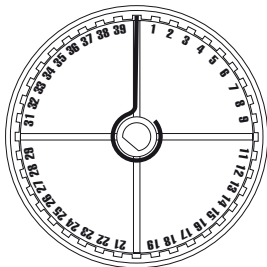
Floor heating
30 - 50°C



HEATING CONNECTION + DHW : "Y" PLAN

Limiting the maximum adjustable temperature

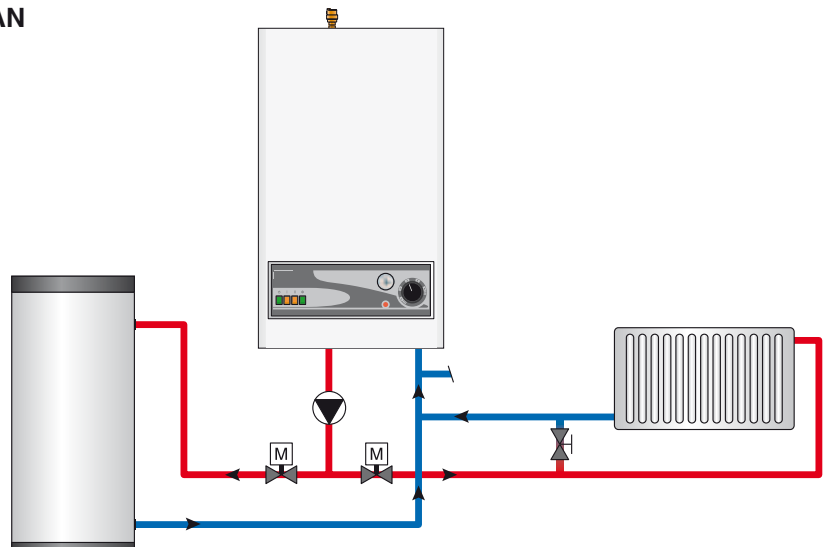
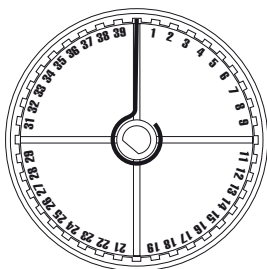
60 - 85°C



HEATING CONNECTION + DHW : "S" PLAN

Limiting the maximum adjustable temperature

60 - 85°C

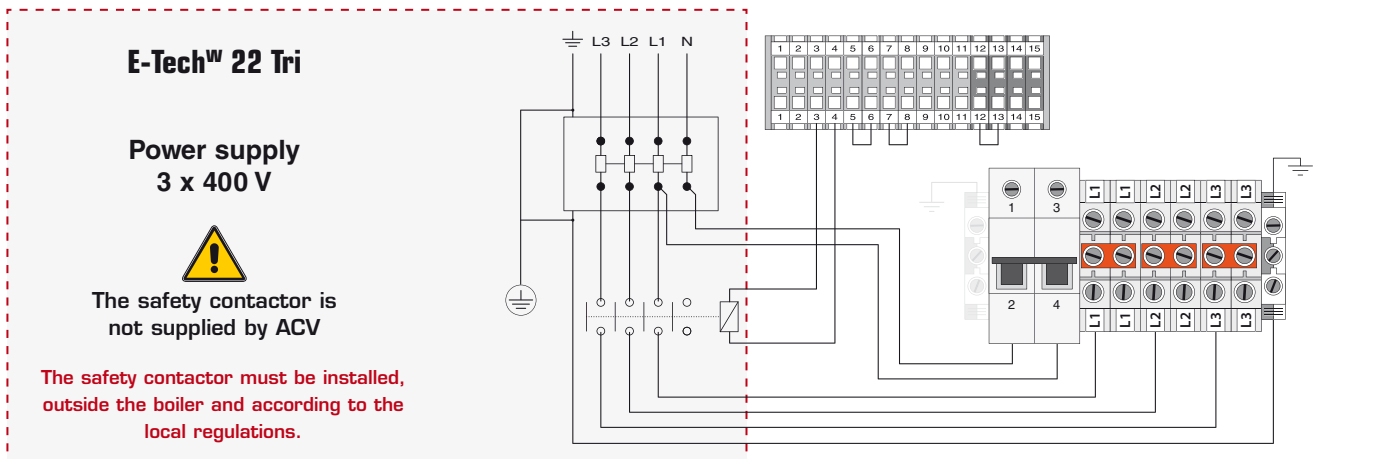
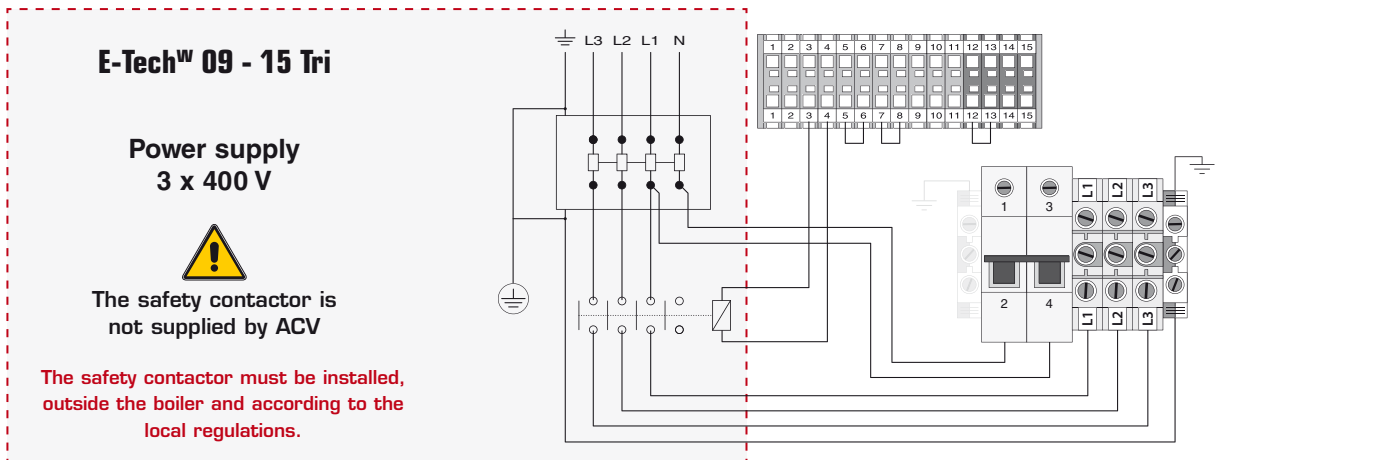
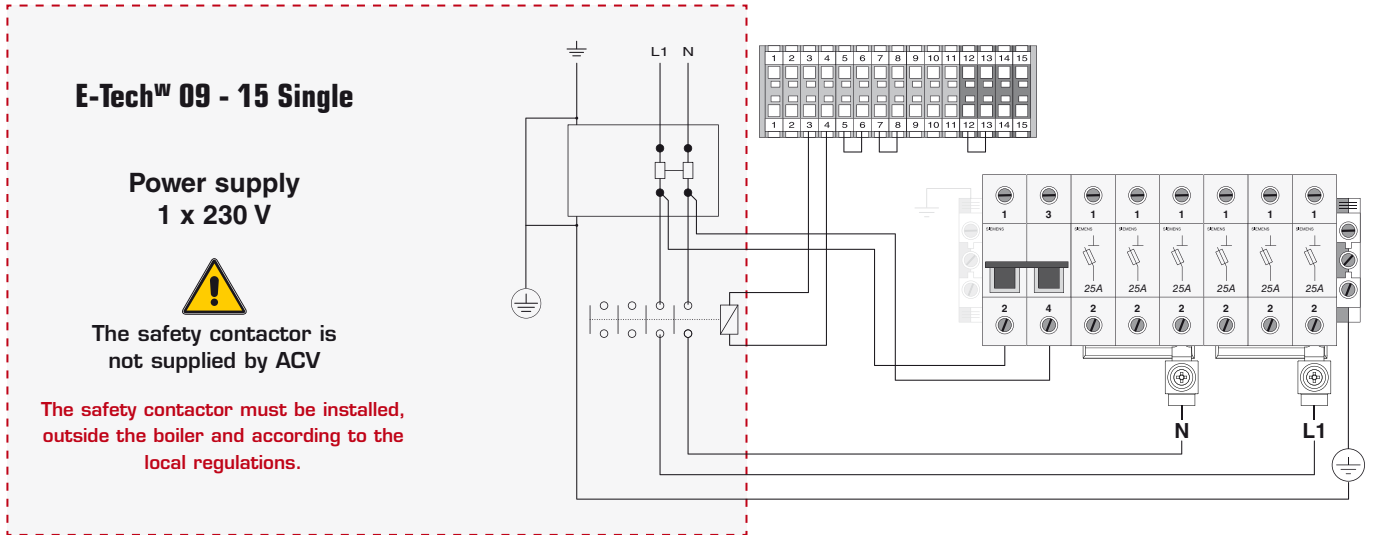


INSTALLATION

ELECTRIC CONNECTION



- This appliance must be permanently connected to fixed wiring and must be earthed.
- The wiring must be carried out by a competent person and in accordance with the current IEE Wiring Regulations.
- Isolation device must be provided with a minimum contact clearance of 3 mm.
- The MCB must be readily accessible and adjacent to the appliance.

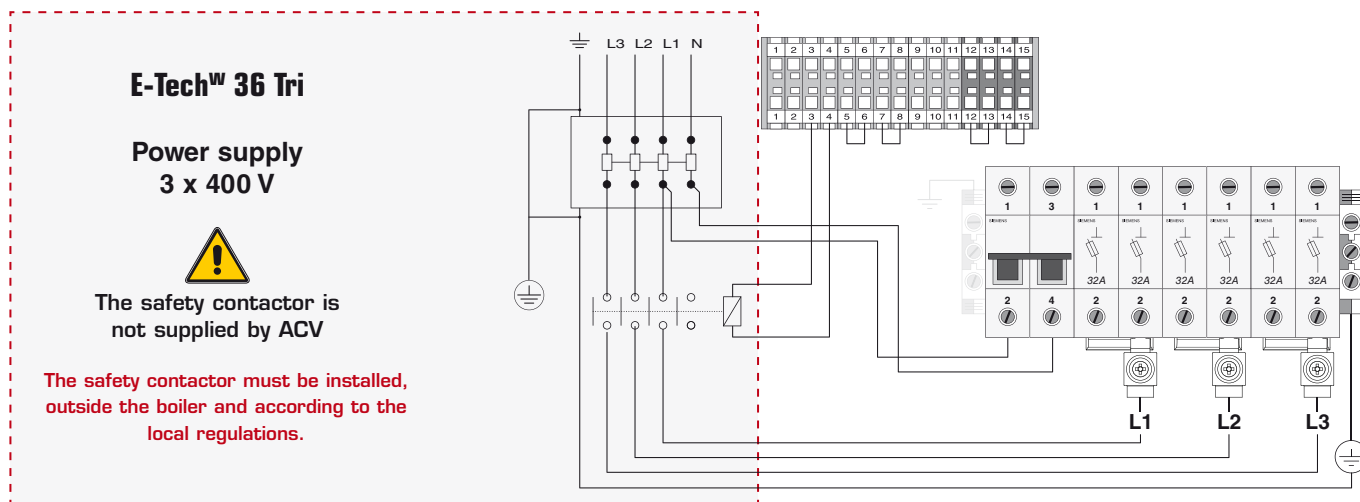
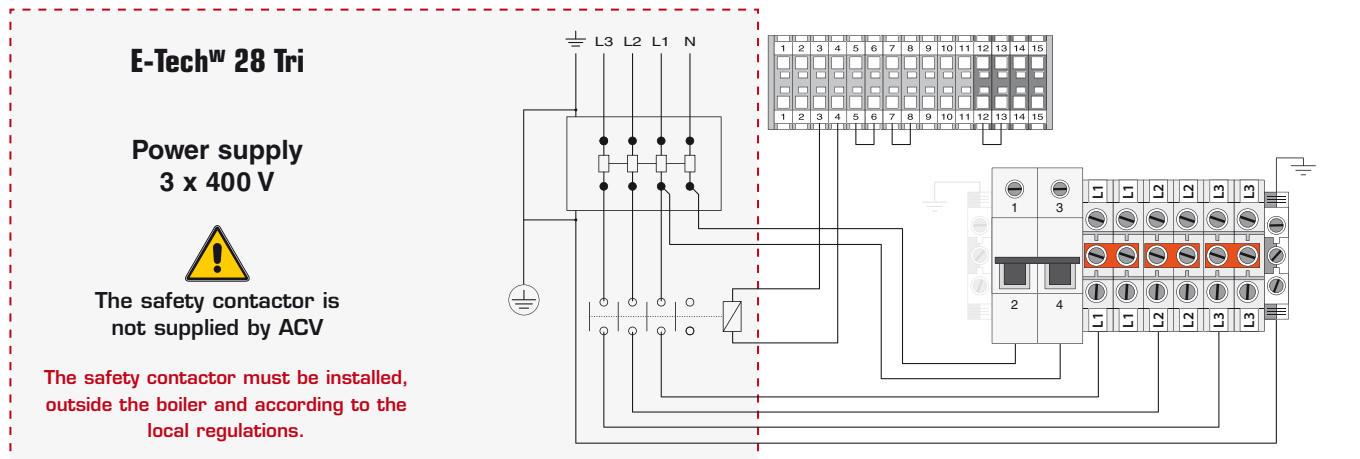


INSTALLATION

ELECTRIC CONNECTION



- This appliance must be permanently connected to fixed wiring and must be earthed.
- The wiring must be carried out by a competent person and in accordance with the current IEE Wiring Regulations.
- Isolation device must be provided with a minimum contact clearance of 3 mm.
- The MCB must be readily accessible and adjacent to the appliance.



SIZING OF SUPPLY WIRES

The supply wires are sized depending of the type and current of the MCB. This last firstly sized depending of the nominal current of the boiler. The admissible current of the supply wires depends of the ambient temperature, the section and length of the wires, the wires insulation, the wires canalisation, the mounting and the environment.

The following values are given for information for an ambient temperature of 30°C and a maximal length of 5 meters. In all the cases, the installation must be in accordance with the current IEE Wiring Regulations.

Nominal section (mm)	Nominal current of the MCB (A)
1.5	16
2.5	25
4	32
6	40
10	63
16	80

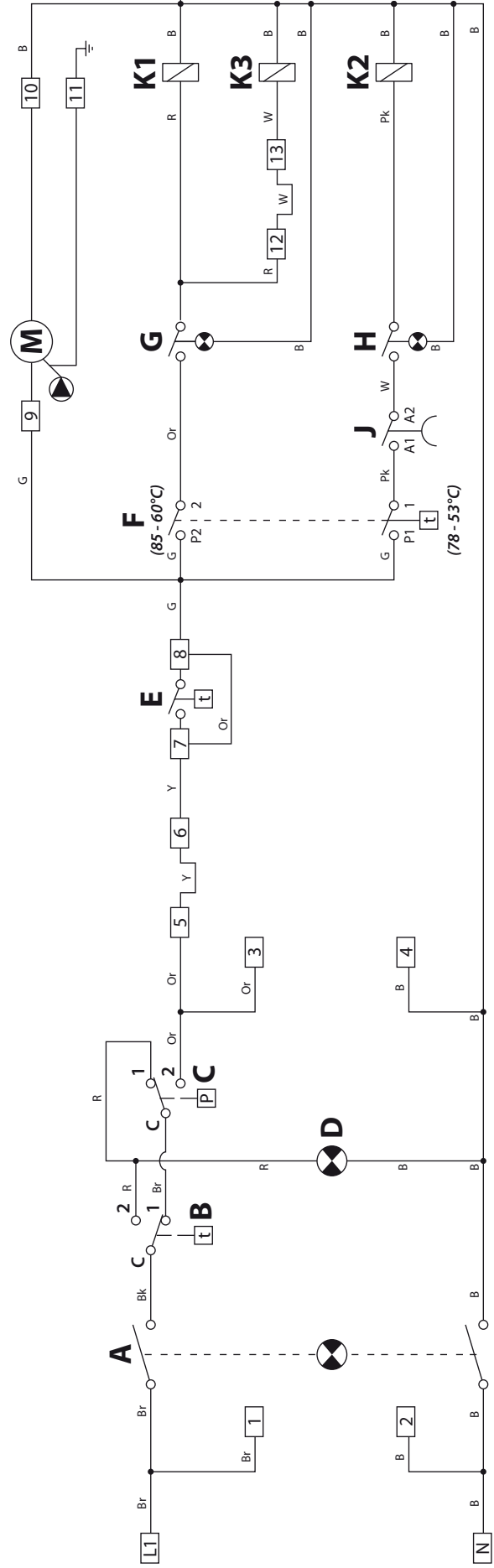
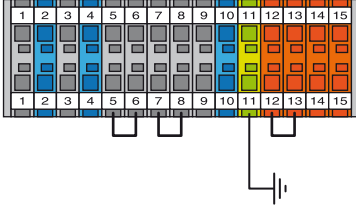
WIRING DIAGRAMS / MODELS : 09 - 15 SINGLE PHASE

INSTALLATION



- A : ON/OFF switch
 B : Manual reset high limit thermostat
 C : Water pressure switch
 D : Alarm indicator
 E : Room thermostat (optional)
 F : Boiler thermostat
 G : Power level switch 1
 H : Power level switch 2
 J : Timer
 K1 : Power relay 1 - level 1
 K2 : Power relay 2 - level 2
 K3 : Power relay 2 - level 1
- 1-2 : Time clock (optional)
 3-4 : Master Relay (optional)
 5-6 : Stop Bridge
 7-8 : Room thermostat (optional)
 9-10-11 : Boiler pump
 12-13 : load shedding of the relay K3

- Blue
 Black
 Brown
 Grey
 Orange
 Pink
 Red
 White
 Yellow
- b
 bk
 br
 g
 or
 pk
 r
 w
 y



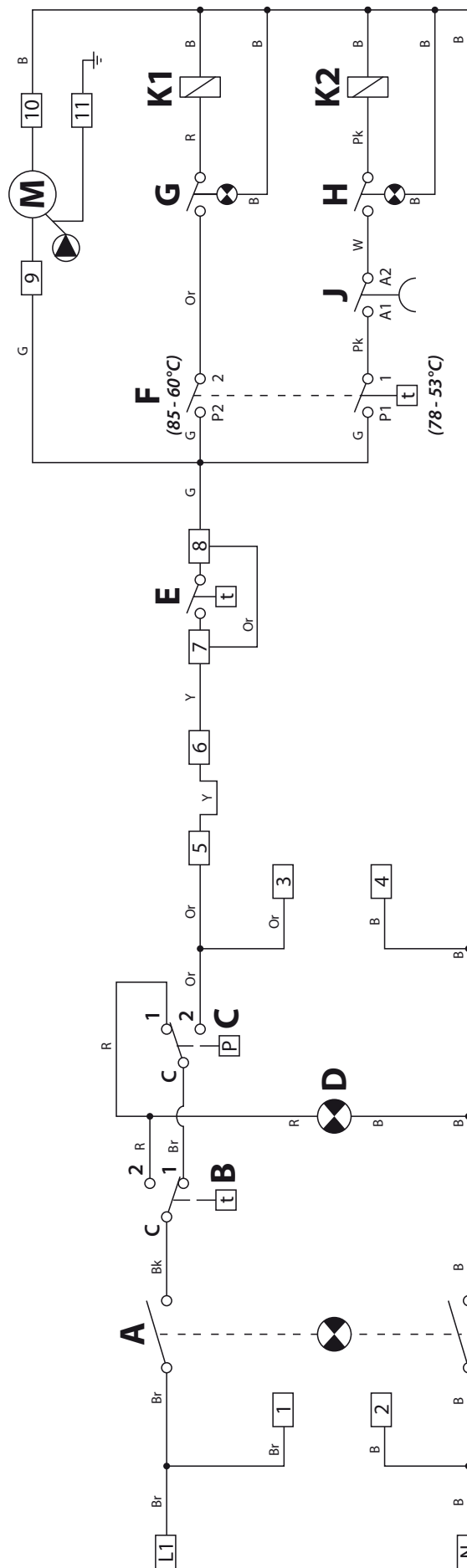
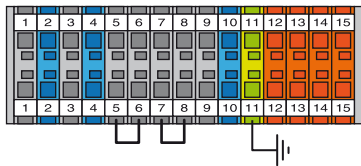
INSTALLATION

WIRING DIAGRAMS / MODELS : 09 - 15 TRI PHASE



- A : ON/OFF switch
 B : Manual reset high limit thermostat
 C : Water pressure switch
 D : Alarm indicator
 E : Room thermostat (optional)
 F : Boiler thermostat
 G : Power level switch 1
 H : Power level switch 2
 J : Timer
 K1 : Power relay 1 - level 1
 K2 : Power relay 2 - level 2
 1-2 : Time clock (optional)
 3-4 : Master Relay (optional)
 5-6 : Stop Bridge
 7-8 : Room thermostat (optional)
 9-10-11 : Boiler pump

- Blue
 Black
 Brown
 Grey
 Orange
 Pink
 Red
 White
 Yellow
- b
 bk
 br
 g
 or
 pk
 r
 w
 y



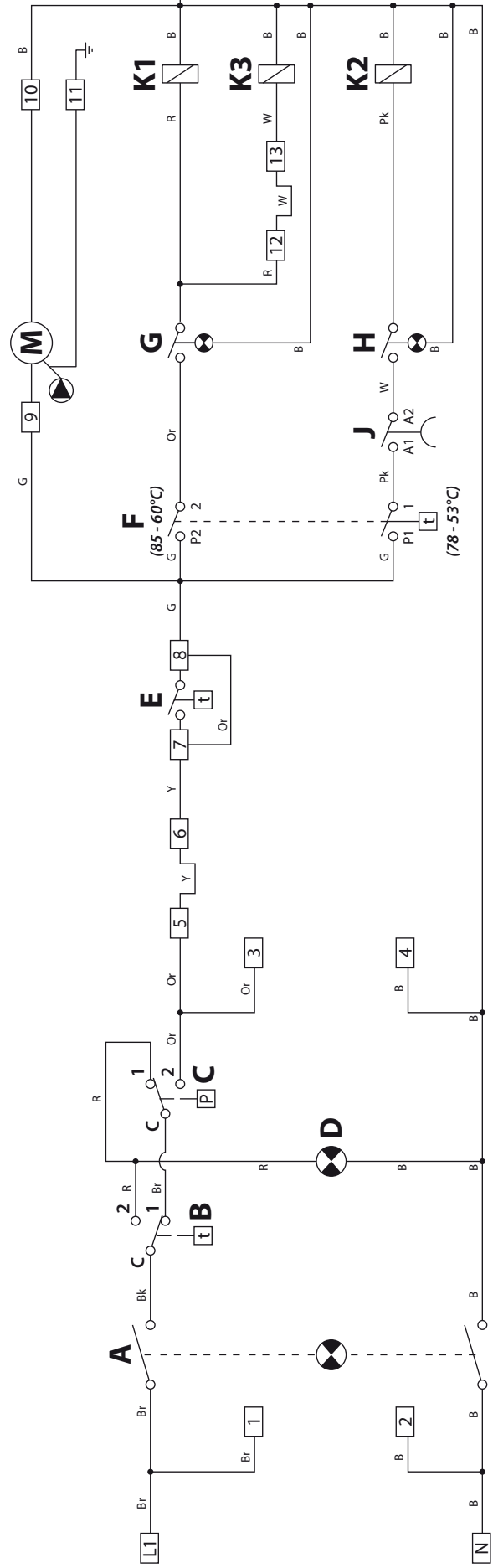
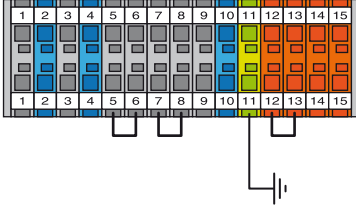
WIRING DIAGRAMS / MODEL : 22 TRI PHASE

INSTALLATION



- A : ON/OFF switch
- B : Manual reset high limit thermostat
- C : Water pressure switch
- D : Alarm indicator
- E : Room thermostat (optional)
- F : Boiler thermostat
- G : Power level switch 1
- H : Power level switch 2
- J : Timer
- K1 : Power relay 1 - level 1
- K2 : Power relay 2 - level 2
- K3 : Power relay 2 - level 1
- 1-2 : Time clock (optional)
- 3-4 : Master Relay (optional)
- 5-6 : Stop Bridge
- 7-8 : Room thermostat (optional)
- 9-10-11 : Boiler pump
- 12-13 : load shedding of the relay K3

- b Blue
- bk Black
- br Brown
- g Grey
- or Orange
- pk Pink
- r Red
- w White
- y Yellow



INSTALLATION

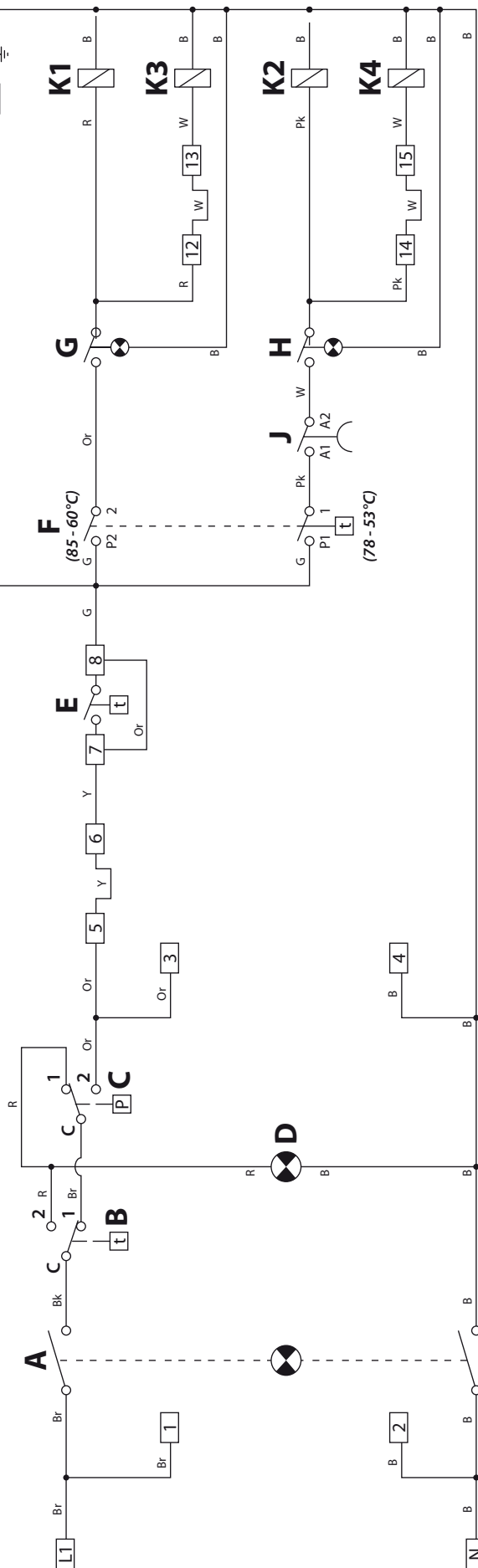
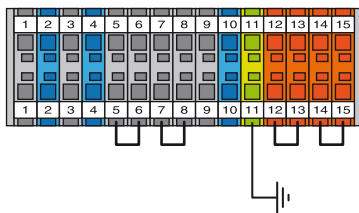
WIRING DIAGRAMS / MODELS : 28 - 36 TRI PHASE



- A : ON/OFF switch
- B : Manual reset high limit thermostat
- C : Water pressure switch
- D : Alarm indicator
- E : Room thermostat (optional)
- F : Boiler thermostat
- G : Power level switch 1
- H : Power level switch 2
- J : Timer
- K1 : Power relay 1 - level 1
- K2 : Power relay 2 - level 2
- K3 : Power relay 2 - level 1
- K4 : Power relay 2 - level 2

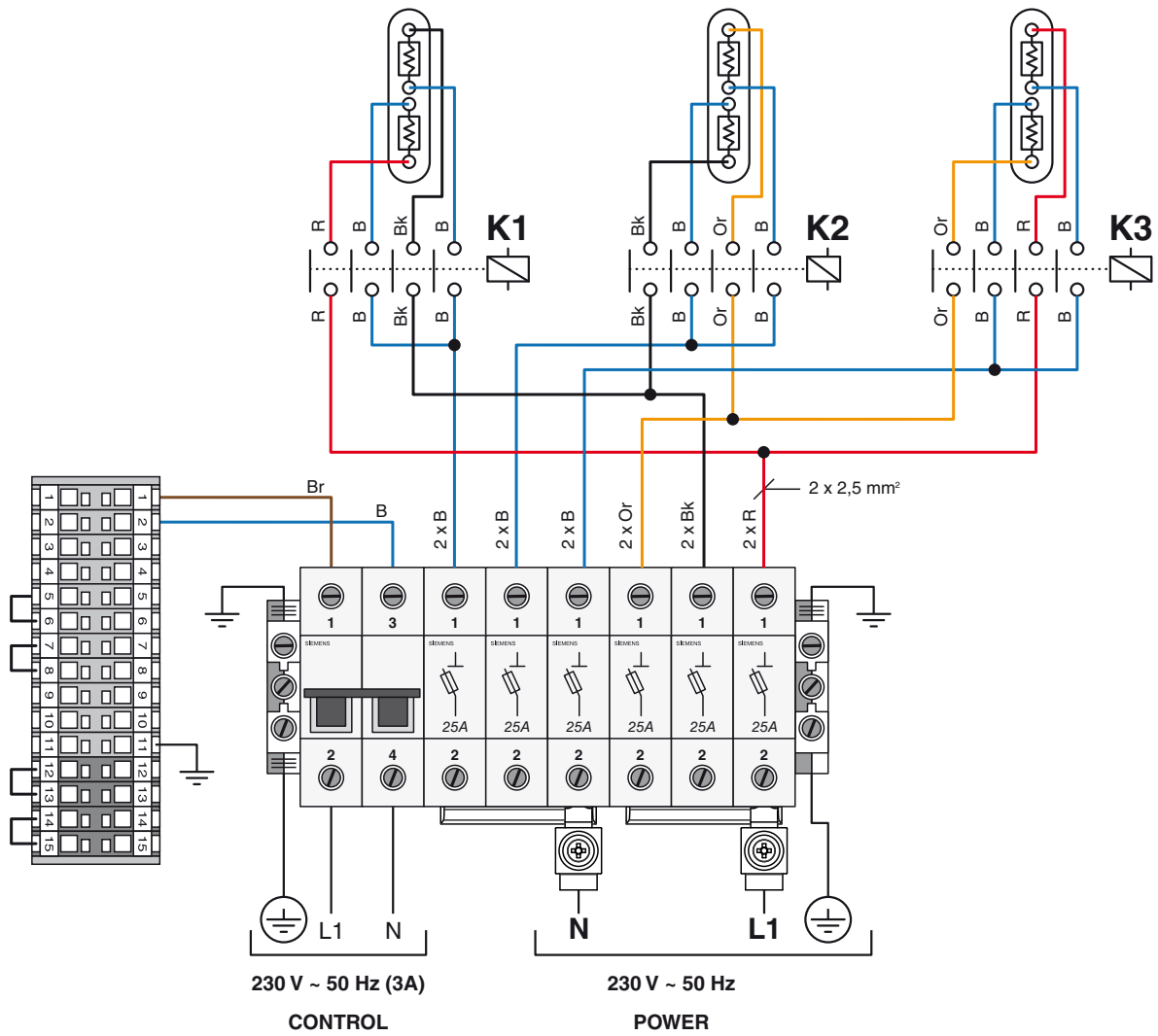
- 1-2 : Time clock (optional)
- 3-4 : Master Relay (optional)
- 5-6 : Stop Bridge
- 7-8 : Room thermostat (optional)
- 9-10-11 : Boiler pump
- 12-13 : load shedding of the relay K3
- 14-15 : load shedding of the relay K4

- b Blue
- bk Black
- br Brown
- g Grey
- or Orange
- pk Pink
- r Red
- w White
- y Yellow



POWER WIRING / MODELS : 09 - 15 SINGLE PHASE

INSTALLATION

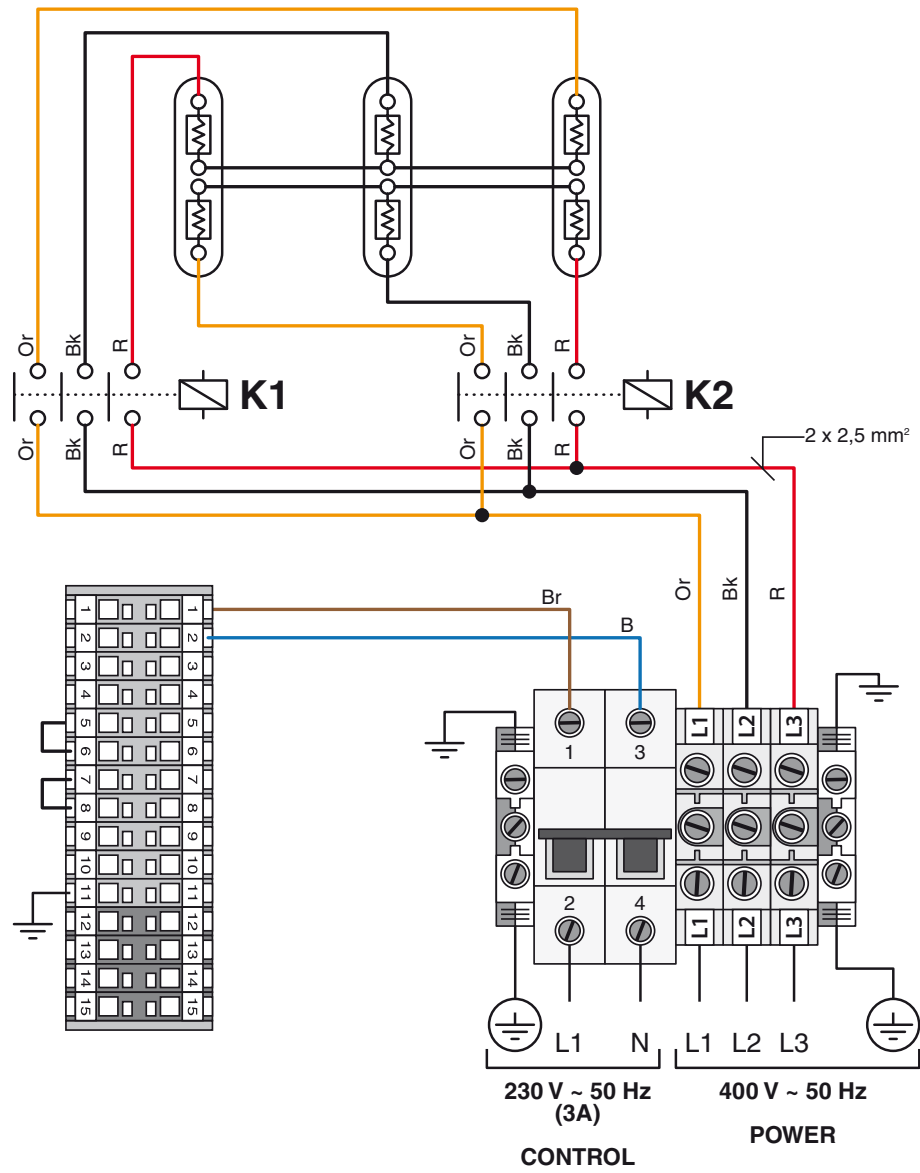


Type 9	8.4 kW	5.6 kW
SINGLE PHASE		
Type 15	14.4 kW	9.6 kW
SINGLE PHASE		



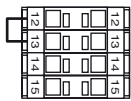
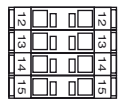
INSTALLATION

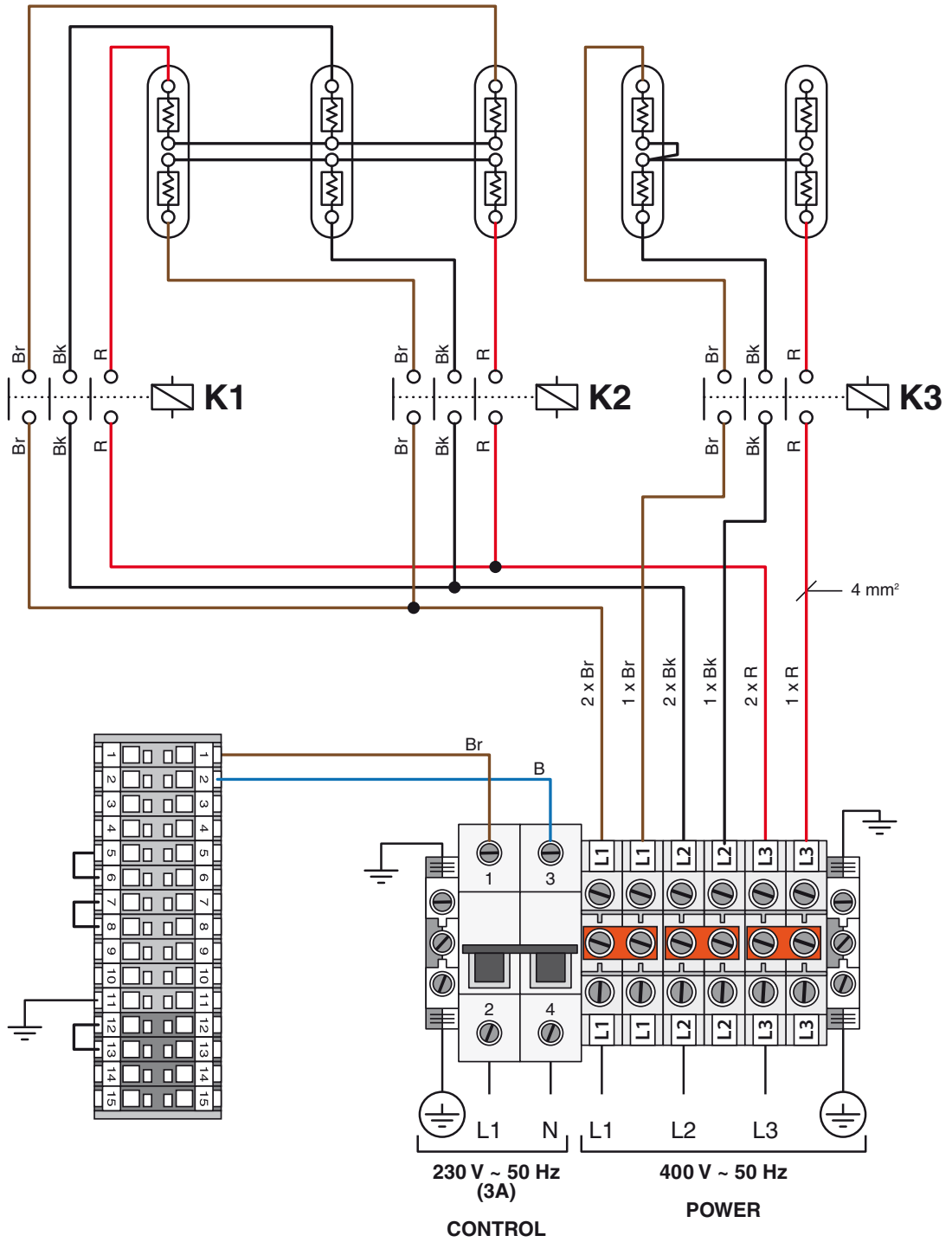
POWER WIRING / MODELS : 09 - 15 TRI PHASE



POWER WIRING / MODEL : 22 TRI PHASE

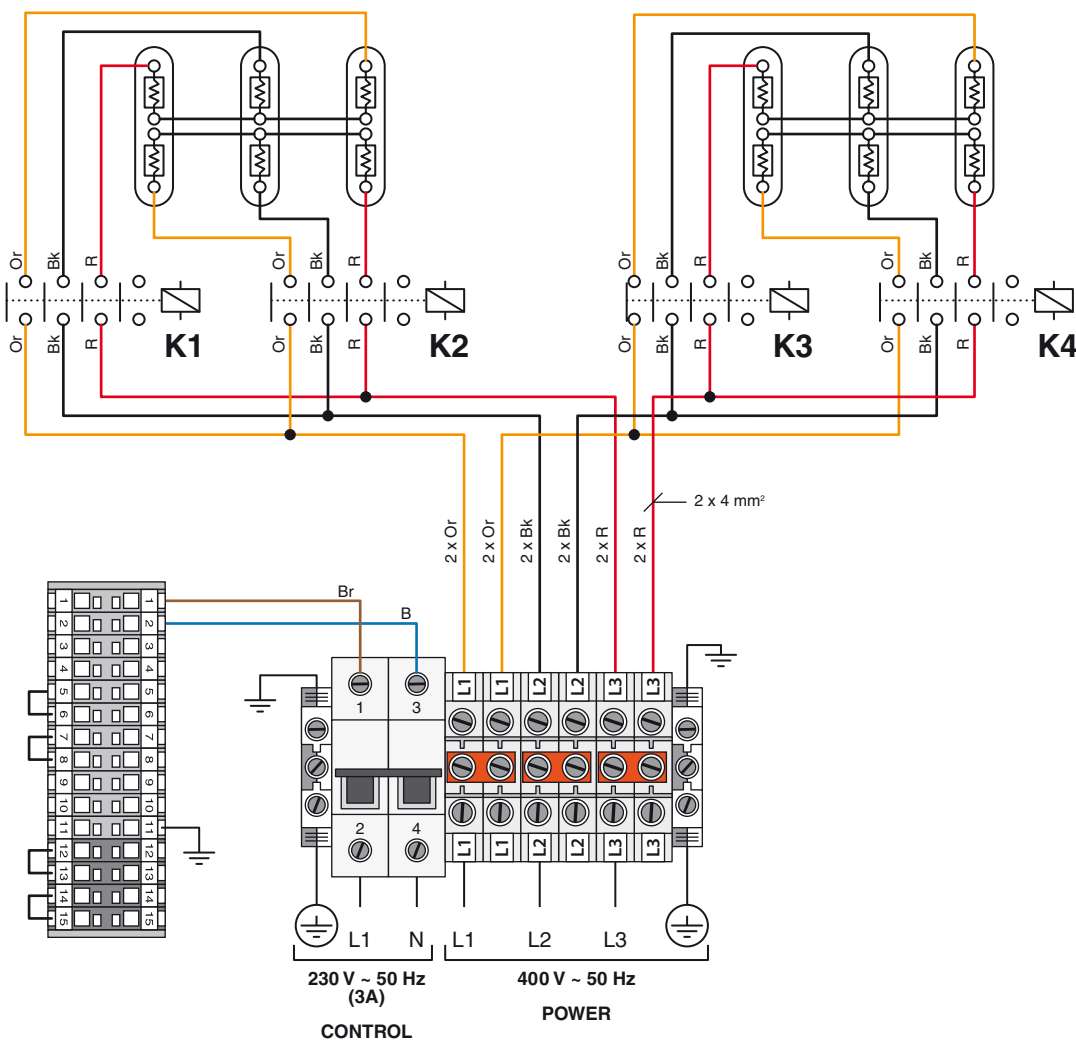
INSTALLATION

Type 22	21.6 kW	14.4 kW
TRI PHASE		



POWER WIRING / MODEL : 28 TRI PHASE

INSTALLATION

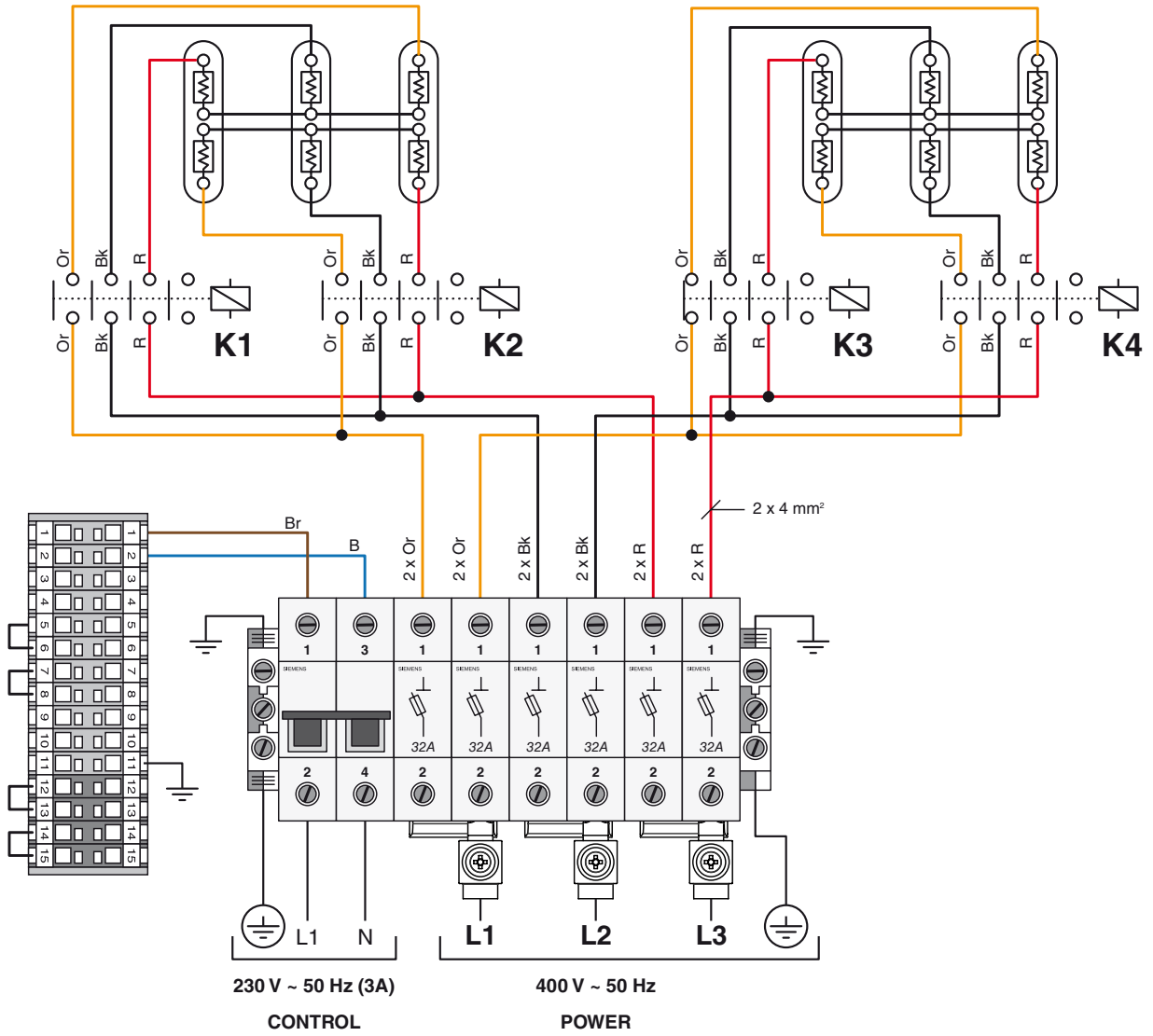


Type 28	28.8 kW	21.6 kW	14.4 kW
TRI PHASE			



POWER WIRING / MODEL : 36 TRI PHASE

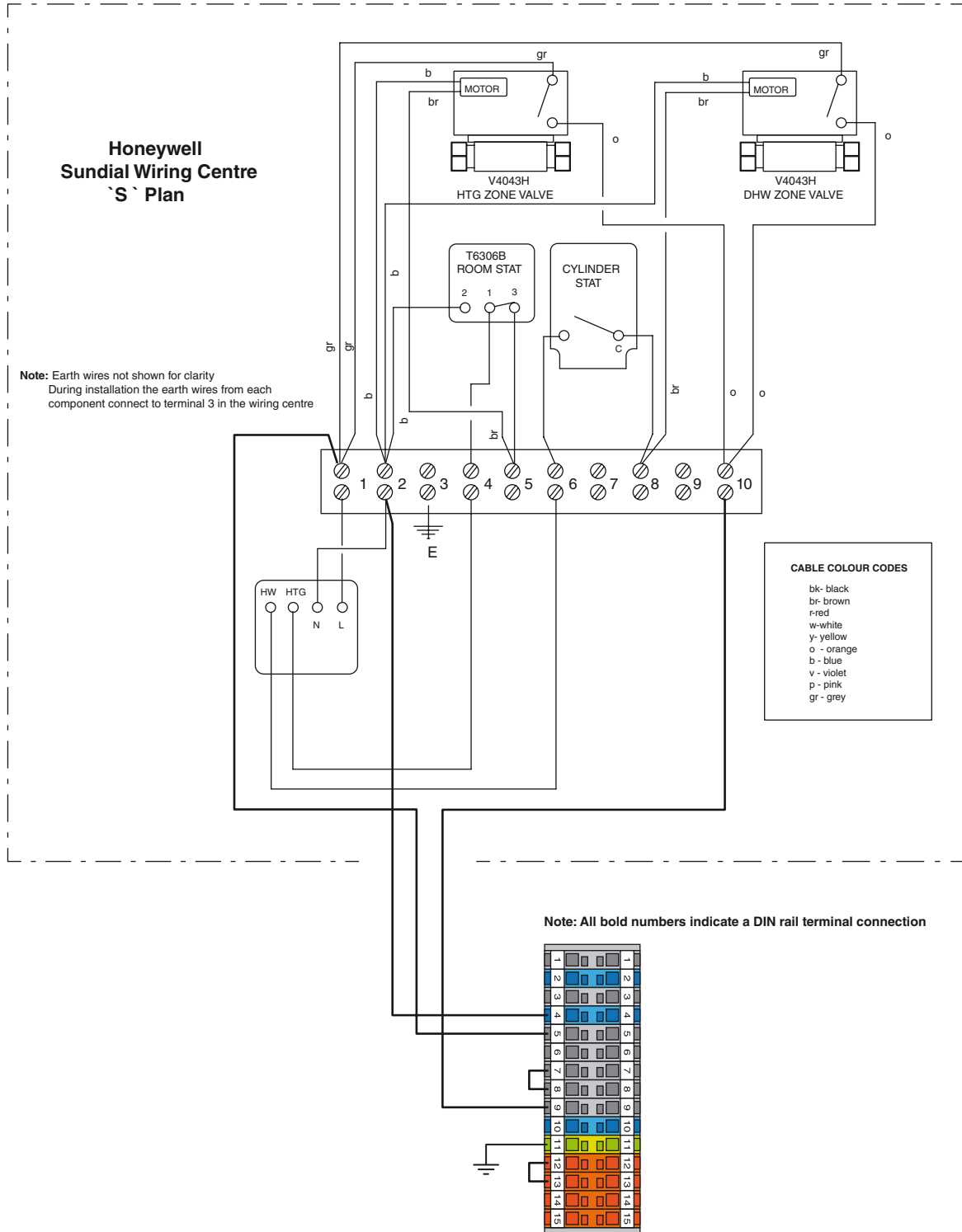
INSTALLATION



Type 36	36 kW	27 kW	18 kW
TRI PHASE			

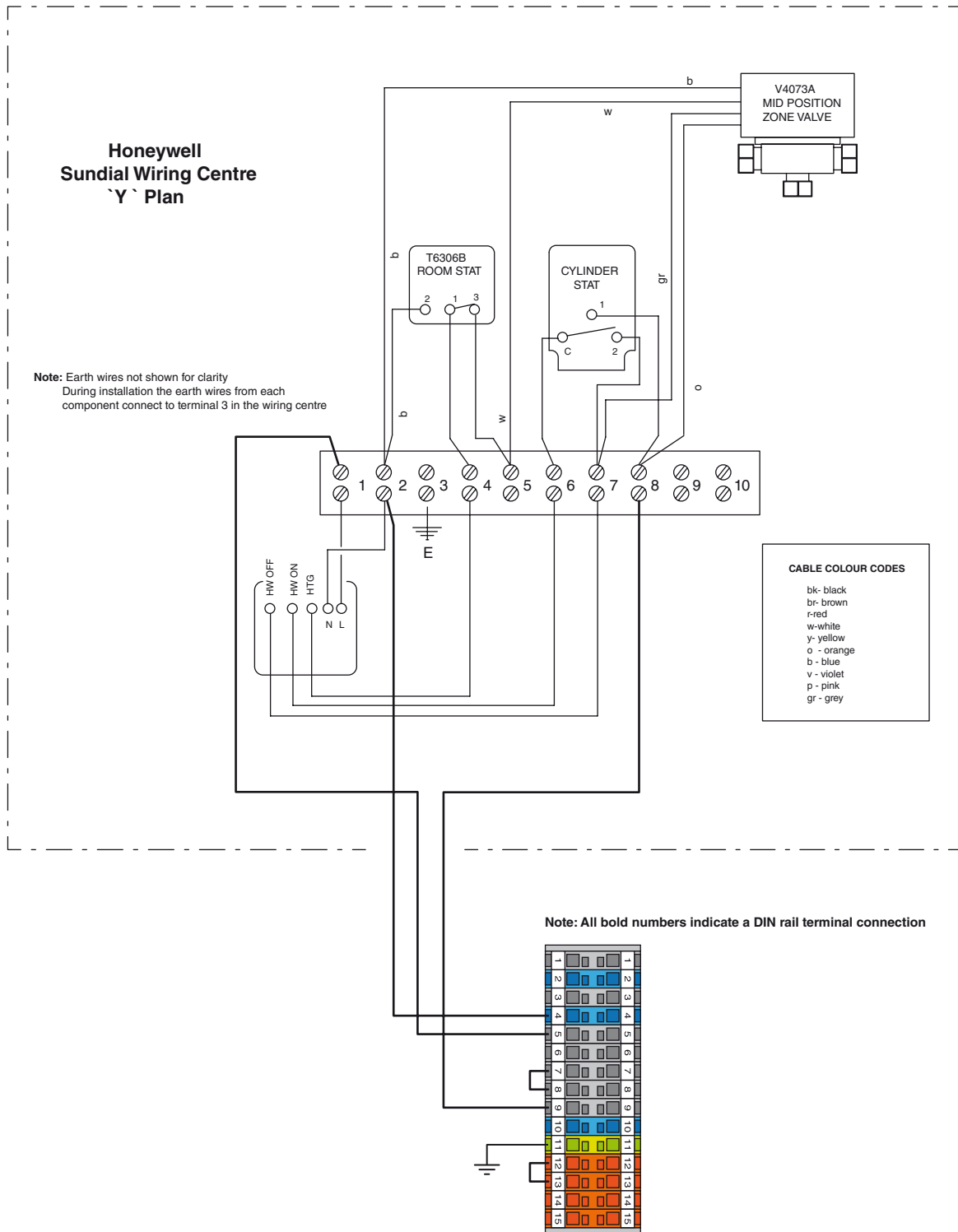


HONEYWELL SUNDIAL WIRING DIAGRAMS



Note: Illustrated model = 22 kW Tri Phase

HONEYWELL SUNDIAL WIRING DIAGRAMS



Note: Illustrated model = 22 kW Tri Phase

COMMISSIONING AND MAINTENANCE

COMMISSIONING - WATER

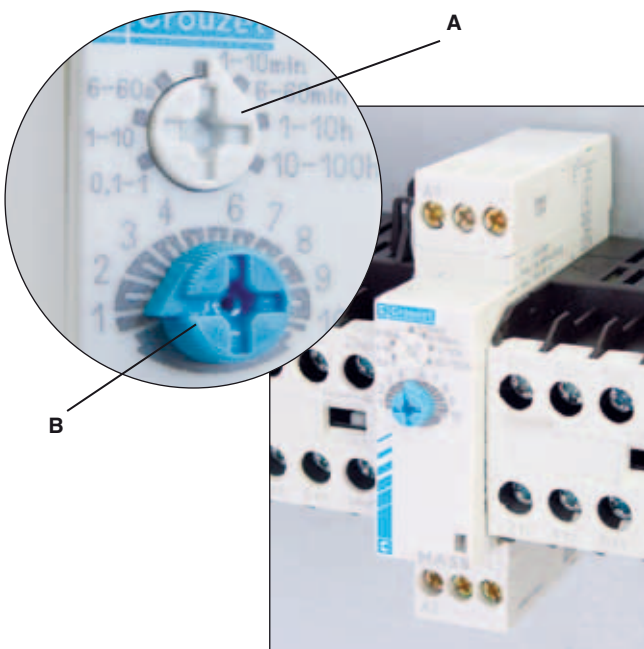
1. The system must be thoroughly cleansed prior to connection of the boiler. The system water should be treated to prevent general corrosion and deposition of scale or sludge in the boiler, please refer to BS7593. If installing the boiler onto an existing system, ACV recommend that an approved system cleaner is used.
2. Fill and pressurise the boiler and system to 1.5 bar, making sure to vent the boiler via the automatic air vent on top of the boiler. Note that the black dust cap on the air vent should be left loose to allow the auto vent to function.
3. Check for leaks.
For specialist advice on water treatment products, contact:

Fernox, Britannia Works
Clavering, Essex CB11 4QZ
Tel 01799 550811

COMMISSIONING - ELECTRICAL

The Electrical installation supplying this boiler must conform to the current IEE Regulations.

1. Remove the front panel and check all electrical connections for tightness.
2. Ensure all internal relays, contactors etc are secure on the DIN rails.
3. Set all panel control switches to off.
4. Check the power stage delay timer settings - Adjuster (A) is factory set to the 1 to 10 minute position which is the optimum setting for the boiler and should be verified during commissioning.
- Adjuster (B) is used to set the DELAY ON time of the following stage contactors, the available settings are in 1 minute increments if A is set to 1 to 10 minutes.
This function is particularly useful in areas where gradual switching of electrical load is required and the resulting maximum demand kept to a minimum. The timers add to the flexibility of the installation but must be optimised by a qualified engineer. The normal setting is 1.
5. Set internal MCB to off position.
6. Set the control thermostat to desired temperature.



STARTING THE BOILER

1. Switch on the internal or external timeclock (if fitted)
2. Switch on internal MCB
3. Switch on local isolator to boiler
4. Turn the boiler on using the ON/OFF switch
5. Switch on the power levels switch stage 1, the first stage contactors will energise
6. Switch on the power levels switch stage 2, after a short delay the second stage contactors will energise. Note: the power stage delay timer settings should be verified as shown in item 4 under "Commissioning - Electrical"
7. The boiler temperature will now rise as indicated by the combined temperature and pressure gauge
8. The temperature will continue to rise until the control thermostat temperature setting is reached then the boiler will switch off.


Once these procedures have been followed the system can be left to operate normally by the following method.

1. Ensure that boiler thermostat is set to the desired temperature
2. Turn the boiler on using the ON/OFF switch
3. Turn on power level switch 1
4. Turn on power level switch 2
5. Set timeclock (if fitted) and/or external controls to desired boiler operating on/off times.

After one week of operation all electrical connections should be re-checked for tightness and the boiler water system checked for leaks and air and rectified if necessary.

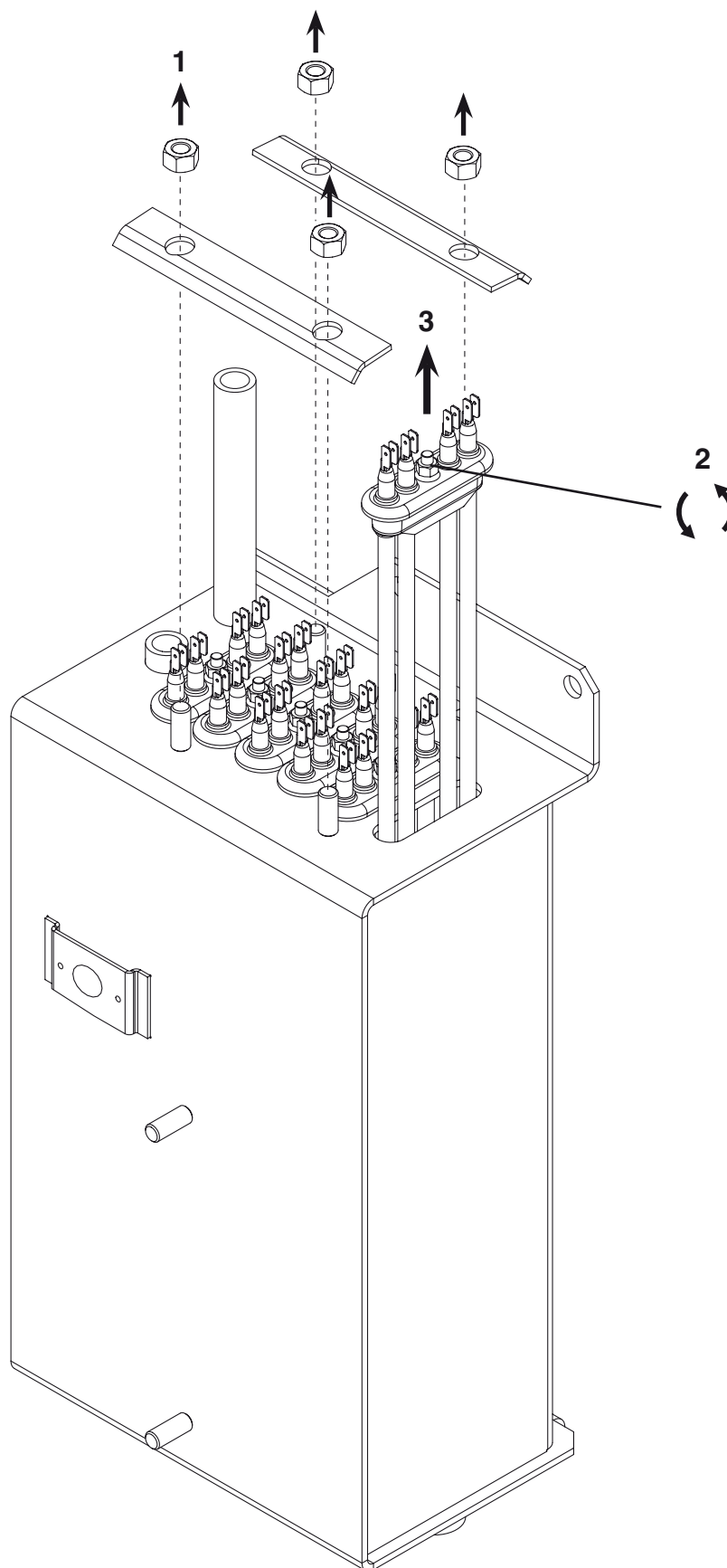
MAINTENANCE

For safety reasons it is recommended that the boiler is serviced annually and that servicing is carried out by a qualified service engineer.

 **Before carrying out any work on the system ensure that the boiler is cool and all electrical supplies are isolated.**

1. After removing front cover undo the four screws retaining the front control panel and gently let the panel suspend on the wiring to the rear of the panel. Undertake a visual inspection of the boiler looking out for signs of water leakage from joints, expansion vessel, and the area around the elements on top of the boiler.
2. Undertake a visual inspection of all cabling in the boiler casing checking for signs of overheating or burning.
3. Check all push-on electrical connectors for tightness and good connection to the relative components.
4. Using a correct fitting screwdriver check all electrical terminals on DIN rails and on all components for tightness.
5. Check the settings on the internal timers in accordance with the "Commissioning - Electrical" section.
6. Replace the control panel and the boiler front cover and refit screws.
7. Reinstate the electrical supply and follow the procedures set out in the commissioning section.

REMOVAL THE HEATING ELEMENTS





A series of horizontal dotted lines for handwriting practice, spanning the width of the page.